

PJSS 13-230V

EN

ORIGINAL INSTRUCTIONS  
850W PENDULUM ACTION  
JIGSAW



 TROTEC

**Table of contents**

**Notes regarding the instructions** ..... 2

**Safety** ..... 2

**Information about the device** ..... 6

**Transport and storage** ..... 8

**Start-up** ..... 9

**Operation** ..... 13

**Available accessories** ..... 15

**Errors and faults** ..... 15








**Maintenance** ..... 16

**Disposal** ..... 16

**Declaration of conformity** ..... 17

**Notes regarding the instructions**

**Symbols**

-  **Warning of electrical voltage**  
This symbol indicates dangers to the life and health of persons due to electrical voltage.
-  **Warning of hot surface**  
This symbol indicates dangers to the life and health of persons due to hot surface.
-  **Warning of laser radiation**  
This symbol indicates dangers to the health of persons due to laser radiation.
-  **Warning of sharp object**  
This symbol indicates dangers to the life and health of persons due to pointed objects.
-  **Warning of hand injuries**  
This symbol indicates dangers to the health of persons due to hand injuries.
-  **Warning**  
This signal word indicates a hazard with an average risk level which, if not avoided, can result in serious injury or death.
-  **Caution**  
This signal word indicates a hazard with a low risk level which, if not avoided, can result in minor or moderate injury.

**Note**

This signal word indicates important information (e.g. material damage), but does not indicate hazards.



**Info**

Information marked with this symbol helps you to carry out your tasks quickly and safely.



**Follow the manual**

Information marked with this symbol indicates that the instructions must be observed.



**Wear hearing protection**

Information marked with this symbol indicates that you should wear hearing protection.



**Wear safety glasses**

Information marked with this symbol indicates that you should wear eye protection.



**Wear a protective mask**

Information marked with this symbol indicates that you should wear a protective mask.



**Wear protective clothing**

Information marked with this symbol indicates that you should wear protective clothing.



**Wear protective gloves**

Information marked with this symbol indicates that you should wear protective gloves.

You can download the current version of the instructions and the EU declaration of conformity via the following link:



PJSS 13-230V



<https://hub.trotec.com/?id=39836>

**Safety**

**General Power Tool Safety Warnings**



**Warning**

**Read all safety warnings, instructions, illustrations and specifications provided with this power tool.**

Failure to follow all instructions listed below may result in electric shock, fire and/or serious injury.

**Save all warnings and instructions for future reference.**

The term *power tool* in the warnings refers to your mains-operated (corded) power tool or battery-operated (cordless) power tool.

### General Power Tool Safety Warnings – Work area safety






- **Keep work area clean and well lit.** Clutter or dark areas invite accidents.
- **Do not operate power tools in explosive atmosphere, such as in the presence of flammable liquids, gases or dust.** Power tools create sparks which may ignite the dust or fumes.
- **Keep children and bystanders away while operating a power tool.** Distractions can cause you to lose control.

### General Power Tool Safety Warnings – Electrical safety

- **Power tool plugs must match the outlet. Never modify the plug in any way. Do not use any adapter plugs with earthed (grounded) power tools.** Unmodified plugs and matching outlets will reduce risk of electric shock.
- **Avoid body contact with earthed or grounded surfaces, such as pipes, radiators, ranges and refrigerators.** There is an increased risk of electric shock if your body is earthed or grounded.
- **Do not expose power tools to rain or wet conditions.** Water entering a power tool will increase the risk of electric shock.
- **Do not abuse the cord. Never use the cord for carrying, pulling or unplugging the power tool. Keep cord away from heat, oil, sharp edges or moving parts.** Damaged or entangled cords increase the risk of electric shock.
- **When operating a power tool outdoors, use an extension cord suitable for outdoor use.** Use of a cord suitable for outdoor use reduces the risk of electric shock.
- **If operating a power tool in a damp location is unavoidable, use a residual current device (RCD) protected supply.** Use of an RCD reduces the risk of electric shock.

### General Power Tool Safety Warnings – Personal safety

- **Stay alert, watch what you are doing and use common sense when operating a power tool. Do not use a power tool while you are tired or under the influence of drugs, alcohol or medication.** A moment of inattention while operating power tools may result in serious personal injury.

-   **Use personal protective equipment. Always wear eye protection.** Protective equipment such as a dust mask, non-skid safety shoes, hard hat or hearing protection used for appropriate conditions will reduce personal injuries.
-  
- 

- **Prevent unintentional starting. Ensure the switch is in the off-position before connecting to power source and/or battery pack, picking up or carrying the tool.** Carrying power tools with your finger on the switch or energising power tools that have the switch on invites accidents.
- **Remove any adjusting key or wrench before turning the power tool on.** A wrench or a key left attached to a rotating part of the power tool may result in personal injury.
- **Do not overreach. Keep proper footing and balance at all times.** This enables better control of the power tool in unexpected situation.
- **Dress properly. Do not wear loose clothing or jewellery. Keep your hair and clothing away from moving parts.** Loose clothes, jewellery or long hair can be caught in moving parts.
- **If devices are provided for the connection of dust extraction and collection facilities, ensure these are connected and properly used.** Use of dust collection can reduce dust-related hazards.
- **Do not let familiarity gained from frequent use of tools allow you to become complacent and ignore tool safety principles.** A careless action can cause severe injury within a fraction of a second.

### General Power Tool Safety Warnings – Power tool use and care

- **Do not force the power tool. Use the correct power tool for your application.** The correct power tool will do the job better and safer at the rate for which it was designed.
- **Do not use the power tool if the switch does not turn it on and off.** Any power tool that cannot be controlled with the switch is dangerous and must be repaired.
- **Disconnect the plug from the power source and/or remove the battery pack, if detachable, from the power tool before making any adjustments, changing accessories, or storing power tools.** Such preventive safety measures reduce the risk of starting the power tool accidentally.
- **Store idle power tools out of the reach of children and do not allow persons unfamiliar with the power tool or these instructions to operate the power tool.** Power tools are dangerous in the hands of untrained users.

- **Maintain power tools and accessories. Check for misalignment or binding of moving parts, breakage of parts and any other condition that may affect the power tool's operation. If damaged, have the power tool repaired before use.** Many accidents are caused by poorly maintained power tools.
- **Keep cutting tools sharp and clean.** Properly maintained cutting tools with sharp cutting edges are less likely to bind and are easier to control.
- **Use the power tool, accessories and tool bits etc. in accordance with these instructions, taking into account the working conditions and the work to be performed.** Use of the power tool for operations different from those intended could result in a hazardous situation.
- **Keep handles and grasping surfaces dry, clean and free from oil and grease.** Slippery handles and grasping surfaces do not allow for safe handling and control of the tool in unexpected situations.



#### General Power Tool Safety Warnings – Service

- **Have your power tool serviced by a qualified repair person using only identical replacement parts.** This will ensure that the safety of the power tool is maintained.



#### Device-specific safety warnings for jigsaws



#### Warning of laser radiation

**Laser class 2, P max.: < 1 mW, λ: 400-700 nm, EN 60825-1:2014**

Do not look directly into the laser beam or the opening from which it emerges.

Never point the laser beam at people, animals or reflective surfaces. Even brief eye contact can lead to eye damage.

Examining the laser output aperture by use of optical instruments (e.g. magnifying glass, magnifiers and the like) entails the risk of eye damage.

When working with a laser of class 2, observe the national regulations on wearing eye protection.

- **Hold the power tool by its insulated gripping surfaces when performing an operation where the cutting accessory may contact hidden wiring or its own cord.** Cutting accessory contacting a "live" wire may make exposed metal parts of the power tool "live" and could give the operator an electric shock.
- **Use clamps or another practical way to secure and support the workpiece to a stable platform.** Holding the workpiece by your hand or against the body leaves it unstable and may lead to loss of control.
- **Use appropriate detection equipment to track down concealed supply lines or consult the local utility companies.** Contact with electrical lines may result in fire and electric shock. Damaging a gas line may lead to an explosion. Penetrating a water line causes property damage and may cause an electric shock.
- **Vibrations can be harmful to the human hand-arm system.** Keep the vibration exposure time to a minimum.
- **During operation hold onto the power tool with both hands.** Make sure that you stand firmly on the ground. It is safer to handle the power tool with two hands.
- **Secure the workpiece.** The grip of tensioning devices or a vice is more secure than holding the workpiece only by hand.
- **Clean the shank of the saw blade before inserting it.** A dirty shank cannot be fastened securely.
- **Check the saw blade for tight fit.** A loose saw blade could fall out and injure you.
- **Before switching on the power tool, ensure that the insertion tool can move freely.** If the device is switched on with a jammed insertion tool, the resulting forces can be extreme causing the device to kick out sideways.
- **Do not work on moistened material or moist surfaces.**
- **Only hold the power tool against the workpiece when the tool is switched on and running.** Otherwise there is a risk of kickbacks.
- **Make sure that the base plate is positioned securely on the contact face during sawing.** A jammed saw blade could break or cause a kickback.
- **Keep your hands out of the sawing area.** Do not reach underneath the workpiece. Risk of injury upon contact with the saw blade.
- **Keep your hands away from lifting rod and quick-release chuck.** Crushing hazard upon contact with these components.
- **Ensure sufficient ventilation.**
- **Regularly check the quick-release chuck for wear or damage.**
- **Only use intact, flawless saw blades.** Bent and blunt saw blades could break or cause a kickback.
- **Do not attempt to slow down the saw blade movement by pressing against the blade from the side once the device is switched off.** The saw blade could be damaged, break or cause a kickback.
- **Switch off the power tool when your operation is completed, but do not remove the saw blade from the kerf until it has come to a standstill.** This serves to avoid a kickback, then you can put the power tool down safely.

- **Immediately switch off the power tool if the insertion tool blocks.** The power tool can lash out to the side owing to the forces that build up consequently.
- **Wait until the power tool has come to a standstill, before putting it down.** The insertion tool could get caught resulting in a loss of control of the power tool.

### Intended use

Only use the device PJSS 13-230V:

- for straight and curved cuts at angular workpieces made of wood, plastic and light metal while keeping base plate contact,
- for mitre cuts up to an angle of 45° at angular workpieces made of wood, plastic and light metal,

whilst adhering to the technical data (see instructions).

We recommend using the power tool with original Trotec accessories.

### Foreseeable misuse

- The device is not intended for processing damp wood.
- The device is not intended for processing glass or stone.
- The device is not intended for freehand operation without base plate contact.

Any other use than the one described in the chapter "Intended use" is regarded as reasonably foreseeable misuse.

### Personnel qualifications

People who use this device must:

- have read and understood the instructions, especially the Safety chapter.

### Personal protective equipment



#### **Wear hearing protection.**

Excessive noise can lead to hearing loss.



#### **Wear eye protection.**

With it you protect your eyes from splintering, falling and flying pieces which could cause injuries.



#### **Wear a protective mask.**

It saves you from inhaling harmful dusts generated when processing workpieces.



#### **Wear protective gloves.**

They protect your hands from burns, crushing injuries and skin abrasions.



#### **Wear tight-fitting protective clothing.**

This protects you from the draw-in and entanglement hazard posed by rotating parts.

### Residual risks



#### **Warning of electrical voltage**

Electric shock from insufficient insulation.

Check the device for damages and proper functioning before each use.

If you notice damages, no longer use the device.

Do not use the device when the device or your hands are damp or wet!



#### **Warning of electrical voltage**

Work on the electrical components must only be carried out by an authorised specialist company!



#### **Warning of electrical voltage**

Before any work on the device, remove the mains plug from the mains socket!

Do not touch the mains plug with wet or damp hands.

Hold onto the mains plug while pulling the power cable out of the mains socket.



#### **Warning of electrical voltage**

There is a risk of a short-circuit due to liquids penetrating the housing!

Do not immerse the device and the accessories in water. Make sure that no water or other liquids can enter the housing.



#### **Warning of electrical voltage**

#### **Electric shock due to lightning strike.**

Do not work outdoors in case of approaching thunderstorms.

In case of a thunderstorm, disconnect the device from the mains.

The operator is responsible for the lightning protection of the building.



#### **Warning of laser radiation**

**Laser class 2, P max.: < 1 mW, λ: 400-700 nm, EN 60825-1:2014**

Do not look directly into the laser beam or the opening from which it emerges.

Never point the laser beam at people, animals or reflective surfaces. Even brief eye contact can lead to eye damage.

Examining the laser output aperture by use of optical instruments (e.g. magnifying glass, magnifiers and the like) entails the risk of eye damage.

When working with a laser of class 2, observe the national regulations on wearing eye protection.





**Warning of hot surface**

The insertion tool might still be hot after the application. Burn hazard when touching the insertion tool.

Do not touch the insertion tool bare-handed!  
Wear protective gloves!

**Warning of hand injuries**

Crushing hazard near saw blade and base plate if handled without due care.  
Wear protective gloves!

**Warning of sharp object**

Parts of the saw blade are sharp. Risk of injuries if handled without due care.  
Wear protective gloves!

**Warning**

Toxic dusts!



The harmful / toxic dusts produced during operation pose of risk to the health of the operator and persons in the vicinity.

Wear eye protection and a dust mask!

**Warning**

Do not process materials containing asbestos.  
Asbestos is considered carcinogenic.

**Warning**

Make sure not to hit power, gas or water lines when working with a power tool.  
If necessary, use a pipe detector to check the wall you want to drill in or slit open.

**Warning**

Risk of injuries caused by flying parts or bursting tool heads.

**Warning**

Dangers can occur at the device when it is used by untrained people in an unprofessional or improper way!  
Observe the personnel qualifications!

**Warning**

The device is not a toy and does not belong in the hands of children.

**Warning**

Risk of suffocation!  
Do not leave the packaging lying around. Children may use it as a dangerous toy.

**Caution**

Vibration emissions can cause a health hazard if the device is used for an extended period of time or if it is not properly handled and maintained.

**Caution**

Keep a sufficient distance from heat sources.

**Note**

If you store or transport the device improperly, the device may be damaged.  
Note the information regarding transport and storage of the device.

**Behaviour in the event of an emergency / emergency stop function**

Emergency stop:

Removing the mains plug from the mains socket results in the function of the device immediately stopping. In order to secure the device against accidental switch-on, leave the mains plug disconnected.

Behaviour in the event of an emergency:

1. Switch the device off.
2. In an emergency, disconnect the device from the mains feed-in: Hold onto the mains plug while pulling the power cable out of the mains socket.
3. Do not reconnect a defective device to the mains.

**Information about the device****Device description**

The device PJSS 13-230V is suited for varied sawing operations with a quick sawing progress due to the adjustable pendulum action.

The anti-splinter guard ensures tear-free cuts.

The pendulum action can be set to 3 levels, or switched off if required.

The saw blades can be exchanged without tools.

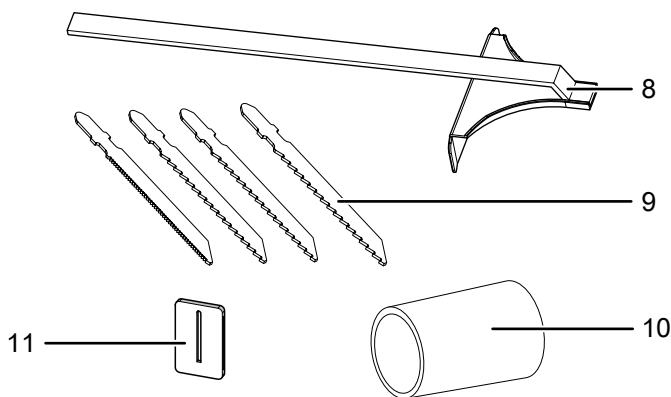
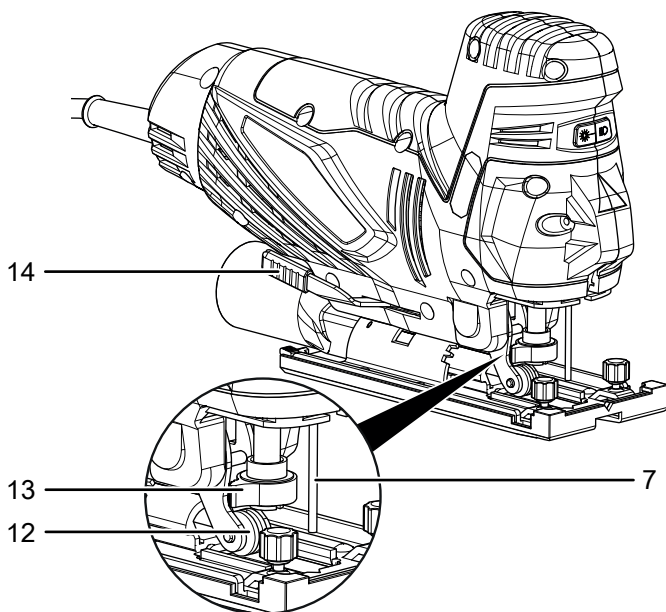
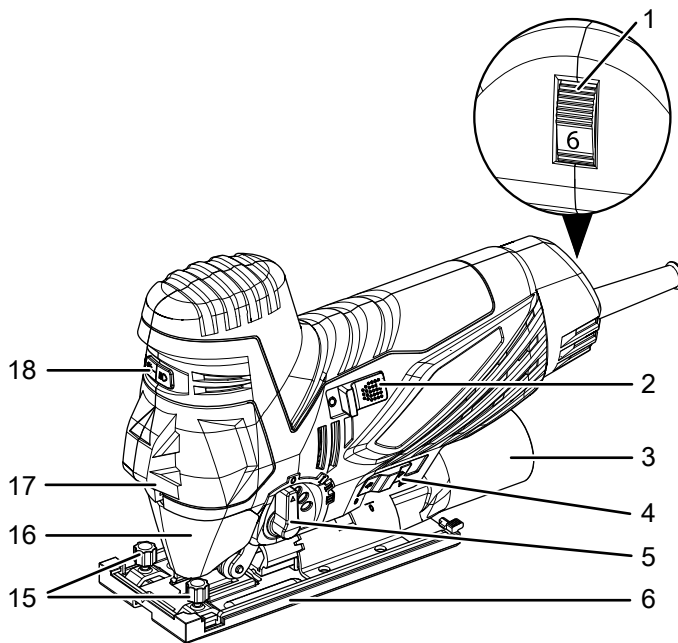
The base plate can be adjusted without tools and allows for cutting angles of 15°, 30° and 45°.

The stroke rate can be easily adjusted between 0 and 3,000 spm using the integrated setting wheel.

The work area can be illuminated thanks to an LED. For an improved guidance, a laser can be switched on in addition, which indicates the current cutting path.

Furthermore the device is equipped with a fan function for a cutting line without sawdust and with an integrated connection for effective external vacuum cleaning.

## Device depiction




| No. | Designation                               |
|-----|-------------------------------------------|
| 1   | Stroke rate setting wheel                 |
| 2   | On/off switch                             |
| 3   | Dust extraction connection                |
| 4   | Splinter blow-off/suction selector switch |
| 5   | Pendulum action selector switch           |
| 6   | Base plate with removable sliding block   |
| 7   | Protective pin                            |
| 8   | Rip fence                                 |
| 9   | Saw blade set                             |
| 10  | Adapter for dust extraction               |
| 11  | Anti-splinter guard                       |
| 12  | Guide roller                              |
| 13  | Quick-release chuck                       |
| 14  | Base plate lock                           |
| 15  | Locking screws for rip fence              |
| 16  | Protective cover                          |
| 17  | Laser, LED work light                     |
| 18  | Button for laser and LED work light       |

## Scope of delivery

- 1 x Pendulum action jigsaw
- 1 x Rip fence
- 3 x Saw blade HCS wood
- 1 x Saw blade HSS metal
- 1 x Adapter for dust extraction
- 1 x Anti-splinter guard
- 1 x Sliding block
- 1 x Manual

## Technical data

| Parameter                                          | Value                                                                                                      |
|----------------------------------------------------|------------------------------------------------------------------------------------------------------------|
| <b>Model</b>                                       | <b>PJSS 13-230V</b>                                                                                        |
| Power supply                                       | 230 V / 50 Hz                                                                                              |
| Power consumption                                  | 0.85 kW                                                                                                    |
| Idle speed                                         | 0 – 3,000 rpm                                                                                              |
| Cutting angle                                      | 0° / 15° / 30° / 45°                                                                                       |
| Max. cutting depth (mm)                            |                                                                                                            |
| Wood                                               | 80                                                                                                         |
| Metal                                              | 8                                                                                                          |
| Plastic                                            | 10                                                                                                         |
| Cable length                                       | 3 m                                                                                                        |
| Protection class                                   | II (double insulation) /  |
| Weight                                             | 2 kg                                                                                                       |
| <b>Vibration information according to EN 62841</b> |                                                                                                            |
| Total vibration emission value:                    |                                                                                                            |
| Sawing chipboards $a_{h,B}$                        | 9.5 m/s <sup>2</sup>                                                                                       |
| Uncertainty K                                      | 1.5 m/s <sup>2</sup>                                                                                       |
| Sawing sheet metal $a_{h,B}$                       | 11.2 m/s <sup>2</sup>                                                                                      |
| Uncertainty K                                      | 1.5 m/s <sup>2</sup>                                                                                       |
| <b>Sound values according to EN 62841</b>          |                                                                                                            |
| Sound pressure level $L_{pA}$                      | 88 dB(A)                                                                                                   |
| Sound power $L_{WA}$                               | 99 dB(A)                                                                                                   |
| Uncertainty K                                      | 3 dB                                                                                                       |



### Wear hearing protection.

Excessive noise can lead to hearing loss.

### Information on noise and vibration:

- The specified total vibration **and noise emission values** were measured by means of a test procedure standardized in EN 62841 and can be consulted for the comparison of one power tool with another.
- The specified total vibration **and noise emission values** can also be used for preliminary load assessment.



### Caution

Vibration emissions can cause a health hazard if the device is used for an extended period of time or if it is not properly handled and maintained.

- The actual vibration **and noise emission** may differ from the stated values during operation of the power tool. This depends on how the power tool is used and especially on the type of workpiece being processed. Try to keep the vibration load to a minimum. Exemplary measures for reducing the vibration load include wearing gloves during operation of the tool and the limitation of working hours. All parts of an operating cycle must be considered for this (e.g. times at which the power tool is switched off and times when it is switched on but runs without load).

## Transport and storage

### Note

If you store or transport the device improperly, the device may be damaged.

Note the information regarding transport and storage of the device.

### Transport

**Before** transporting the device, observe the following:

- Switch off the device.
- Hold onto the mains plug while pulling the power cable out of the mains socket.
- Allow the device to cool down.
- Remove the tool from the tool holder.
- If attached, disconnect the dust extraction system from the device.

### Storage

**Before** storing the device, observe the following:

- Switch off the device.
- Hold onto the mains plug while pulling the power cable out of the mains socket.
- Allow the device to cool down.
- Remove the tool from the tool holder.
- If attached, disconnect the dust extraction system from the device.
- Clean the device as described in the Maintenance chapter.

When the device is not being used, observe the following storage conditions:

- Dry and protected from frost and heat
- Ambient temperature below 45 °C
- protected from dust and direct sunlight



## Start-up

### Unpacking the device

- Take the device and the accessories out of the packaging.



#### Warning of electrical voltage

Electric shock from insufficient insulation. Check the device for damages and proper functioning before each use.

If you notice damages, no longer use the device.

Do not use the device when the device or your hands are damp or wet!

- Check the contents for completeness and look for damages.



#### Warning

Risk of suffocation!

Do not leave the packaging lying around. Children may use it as a dangerous toy.

- Dispose of the packaging material according to the national regulations.

### Changing the saw blade



#### Warning of electrical voltage

Before any work on the device, remove the mains plug from the mains socket!

Do not touch the mains plug with wet or damp hands.

Hold onto the mains plug while pulling the power cable out of the mains socket.



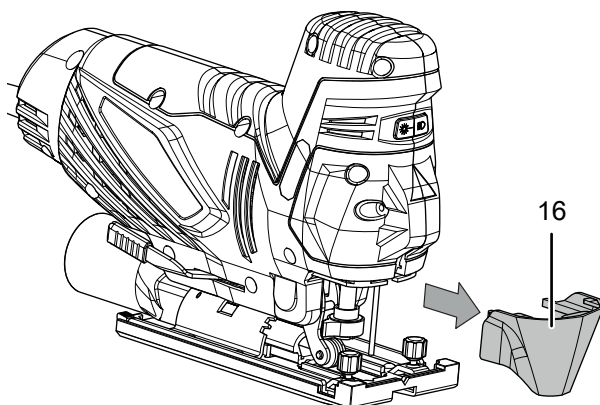
#### Wear protective gloves

Wear appropriate protective gloves when inserting or exchanging tools.

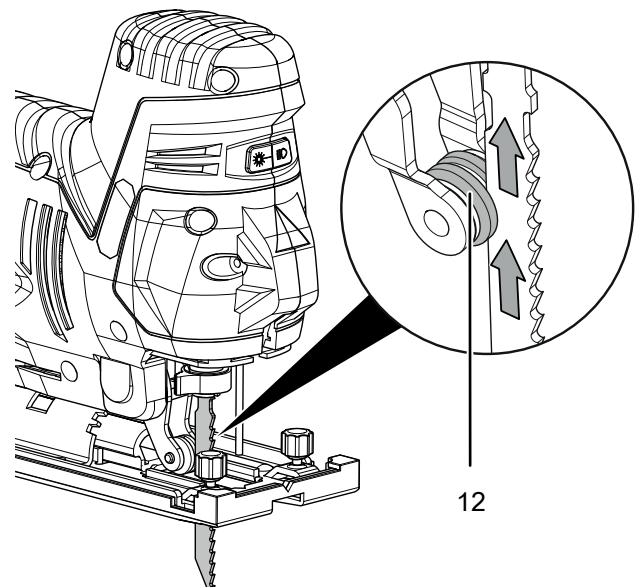
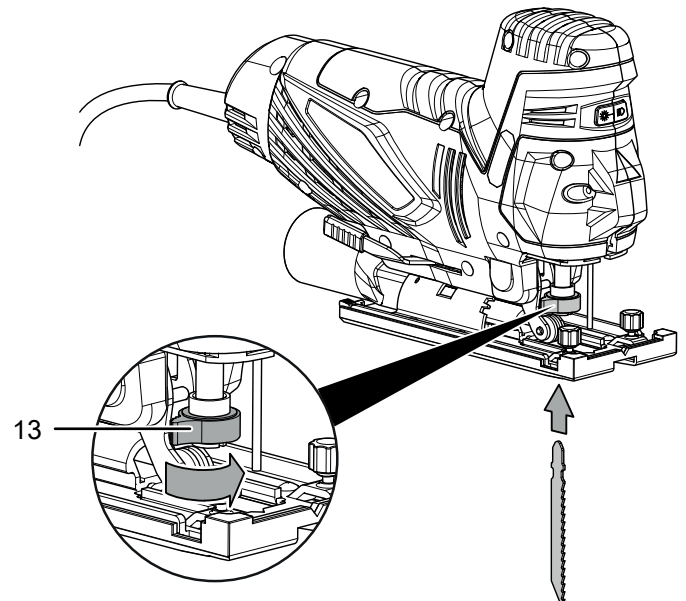
As standard, the device is supplied with 3 saw blades for cutting in wood and one saw blade for cutting in light metals.

Please proceed as follows to remove or insert a saw blade:

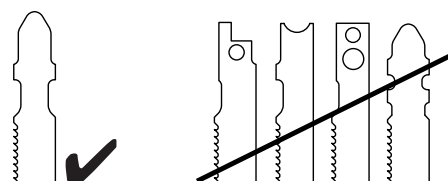
1. Detach the protective cover (16).



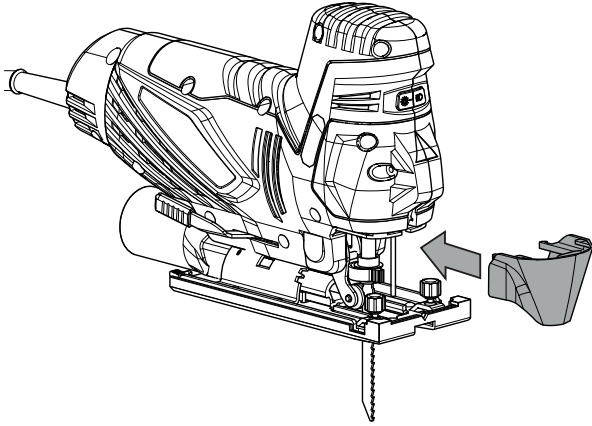
2. Turn the quick-release chuck (13) to the side and hold it in this position.



3. If a saw blade is inserted, remove the saw blade from the quick-release chuck (13).
4. Insert the saw blade into the quick-release chuck (13). Make sure that the teeth of the saw blade point to the front and that the saw blade is seated in the guide roller (12).
5. Push the saw blade into the quick-release chuck all the way to the stop (13). Use a suitable sawblade with single lug shank.



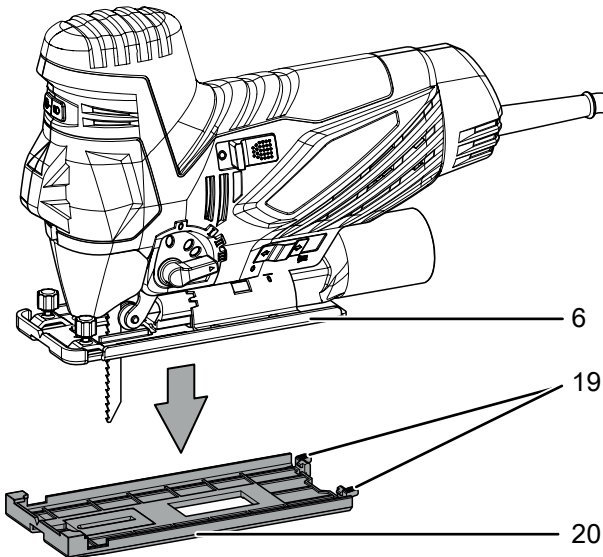
6. Let go of the quick-release chuck (13).  
 ⇒ The quick-release chuck (13) must return to its initial position.
7. Check whether the saw blade is properly locked in place.
8. Reattach the protective cover (16).



**Mounting / removing the sliding block**

To protect the surface of the material to be processed, the sliding block is already preassembled. You may remove the sliding block if required.

1. Release the two fastening clips (19) at the rear.
2. Slowly push the sliding block (20) forward while carefully detaching the front part of the sliding block from the base plate (6).
3. Pull the sliding block (20) downwards carefully.



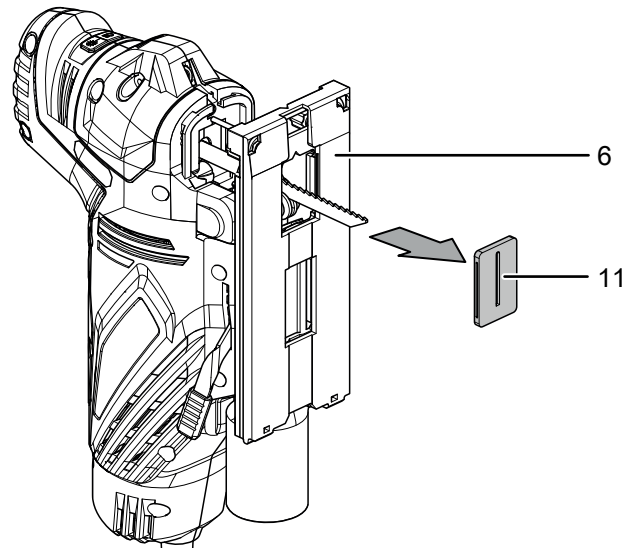
4. To reattach the sliding block (20), first push it onto the front part of the base plate (6).
5. Then let the fastening clips (19) lock in place at the rear.
6. Check the sliding block (20) for tight fit.

**Mounting / removing the anti-splinter guard**

The anti-splinter guard serves to avoid tearing of the surface when sawing in wood. The anti-splinter guard can only be used in combination with certain types of saw blades and at a cutting angle of 0°. You may remove it if required, e.g. if you want to make a mitre cut.

The anti-splinter guard is already preassembled.

1. First remove the sliding block (20; see Mounting / removing the sliding block).
2. Remove the anti-splinter guard (11) from the base plate (6) by carefully pushing the anti-splinter guard (11) outwards.

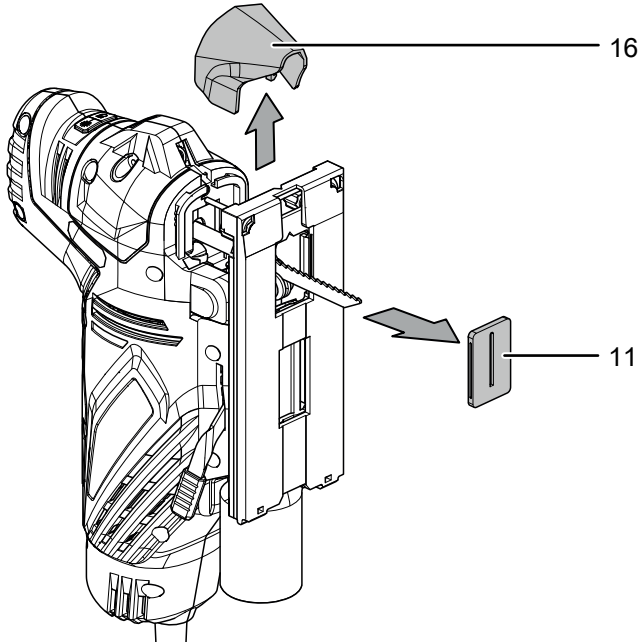


3. To reinsert the anti-splinter guard (11), carefully push it into the recess of the base plate (6) from below until the anti-splinter guard (11) locks in place. When doing so, make sure that the smooth side of the anti-splinter guard (11) points away from the device.

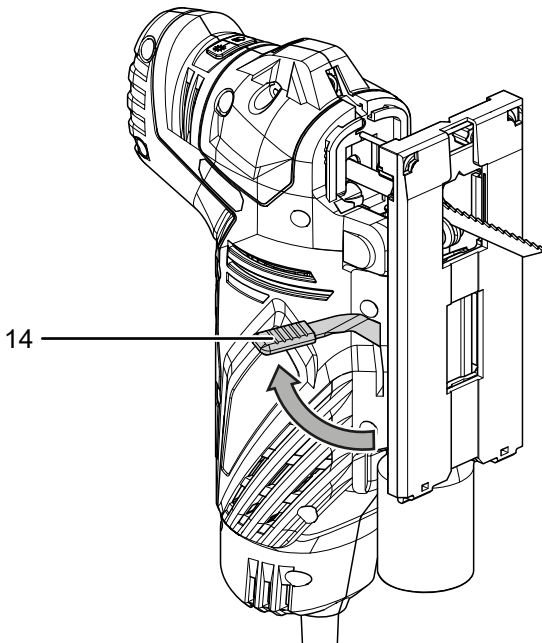
### Adjusting the cutting angle

The cutting angle can be adjusted to the left or right at angles of 0° / 15° / 30° / 45°.

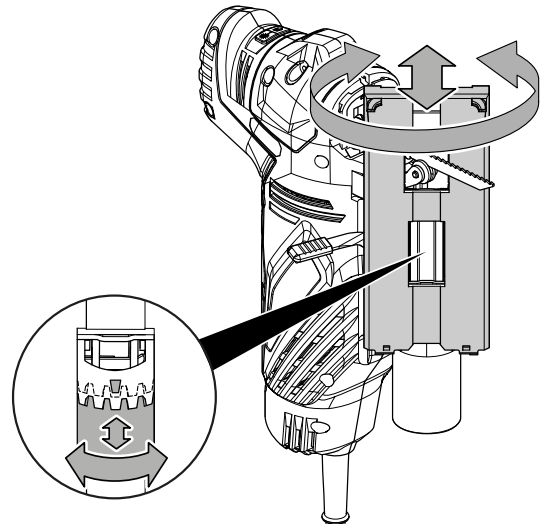
1. First, remove the anti-splinter guard (11) and the protective cover (16).



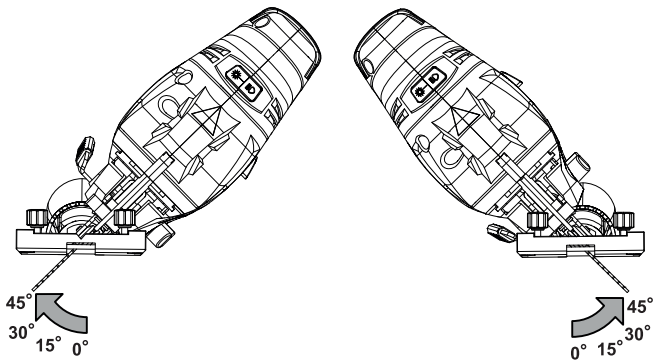
2. Push the base plate lock (14) to the front.



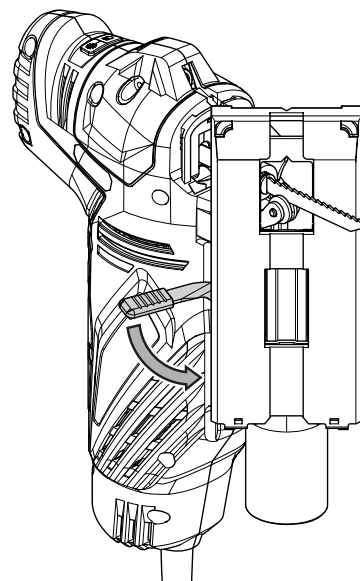
3. Slide the base plate (6) to the rear until it can be freely rotated.



4. Set the desired cutting angle. The number of degrees to be set is engraved on the base plate (6).



5. Slide the base plate (6) back to the front until the toothing engages.
6. Push the base plate lock (14) to the rear.



7. Check the base plate (6) for tight fit.



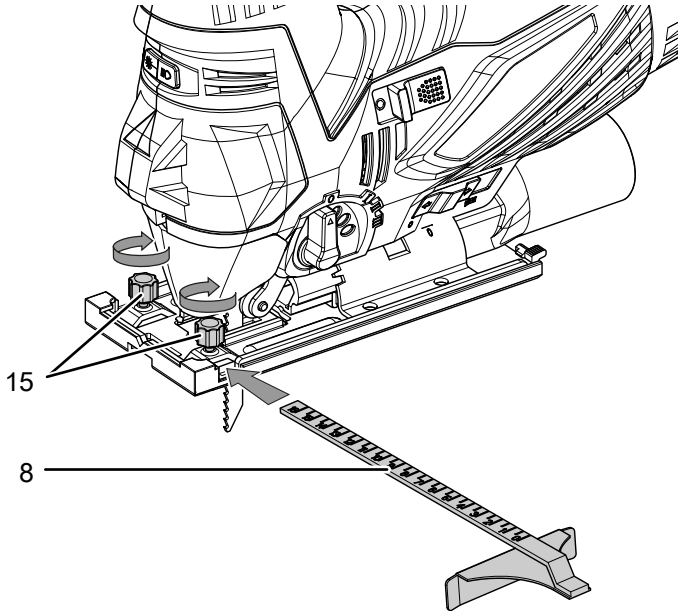
**Info**

The anti-splinter guard and the protective cover cannot be used for mitre cuts.

**Mounting the rip fence**

The rip fence can be fastened on both sides of the device.

1. Loosen the locking screws (15) at the slot. Make sure not to unscrew the locking screws completely.



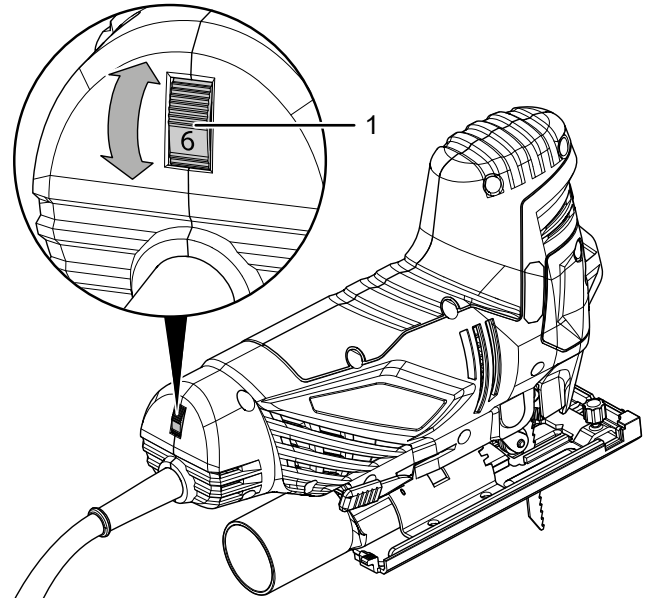
2. Slide the rip fence (8) into the slot with the marking pointing up.
3. Move the rip fence (8) into the desired position.
4. Tighten the locking screws (15).

**Selecting the stroke rate**

The required stroke rate depends on the material and the operating conditions and can be determined by way of field-testing.

The setting range covers the levels 1 – 6 (0 – 3,000 rpm). You can change the preselected stroke rate level at any time.

1. Turn the setting wheel (1) to the desired stroke rate level.



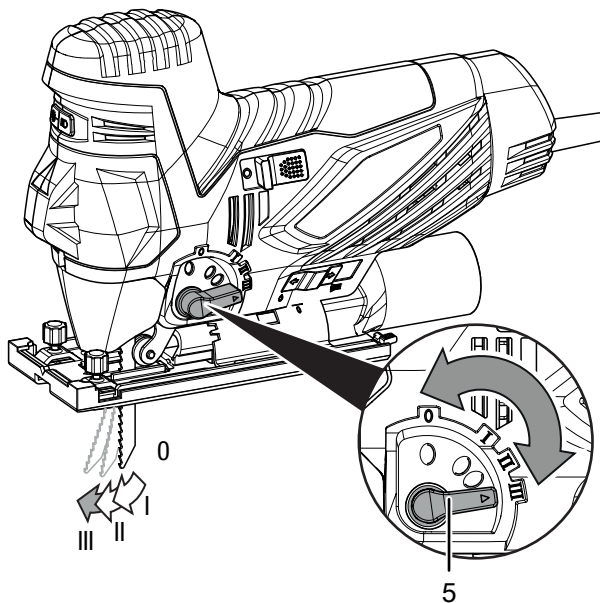
**Adjusting the pendulum action**

You can adjust the pendulum movement of the saw blade. Levels 1 to 3 allows for a faster work progress and level 0 (pendulum movement off) enables fine and clean cutting edges. The ideal pendulum level for the respective application can be determined by way of field-testing. Please observe the following instructions:

- If you want to obtain a fine and clean cutting edge, preferably select a low pendulum level or switch off the pendulum action completely.
- Switch off the pendulum action when processing thin materials.
- Work at a low pendulum level when processing hard materials.
- For soft materials or when sawing wood with the grain you can work with the maximum pendulum level.



1. Set the pendulum action selector switch (5) to the desired level. The higher the level, the larger the pendulum stroke. The pendulum action can also be adjusted during operation.



### Connecting the power cable

1. Insert the mains plug into a properly secured mains socket.

## Operation

### Tips and notes on handling the jigsaw

#### General information:

- Keep the venting slots clear to prevent the motor from overheating.
- Check the tool in the tool holder for proper fit before every application. The tool must be firmly locked in place in the designated holding fixtures in the tool holder.
- Before every application, make sure that you have selected the correct tool for the intended use.

#### Sawing:

- Only use intact, flawless saw blades. Bent, blunt or otherwise damaged saw blades could break.
- When sawing lightweight construction materials, make sure to observe the legal regulations and recommendations of the material manufacturers.
- Before sawing wood, chipboards, building materials etc. with HCS blades, check the above for foreign objects, e.g. nails, screws or similar. If required, remove the foreign objects or use HSS saw blades.
- Use a narrow saw blade when sawing tight curves.
- The saw blade should not be longer than required for the intended cut.

### Switching the LED work light and laser on and off

The device is equipped with an LED work light to illuminate the workpiece and with a laser to mark the cutting path. The laser is best suited for cuts with a 0° cutting angle.



#### Warning of laser radiation

**Laser class 2, P max.: < 1 mW, λ: 400-700 nm, EN 60825-1:2014**

Do not look directly into the laser beam or the opening from which it emerges.

Never point the laser beam at people, animals or reflective surfaces. Even brief eye contact can lead to eye damage.

Examining the laser output aperture by use of optical instruments (e.g. magnifying glass, magnifiers and the like) entails the risk of eye damage.

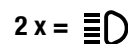
When working with a laser of class 2, observe the national regulations on wearing eye protection.

The LED work light and laser can be switched on and off in the following combinations:

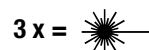
- LED work light and laser on



- LED work light on, laser off



- LED work light off, laser on

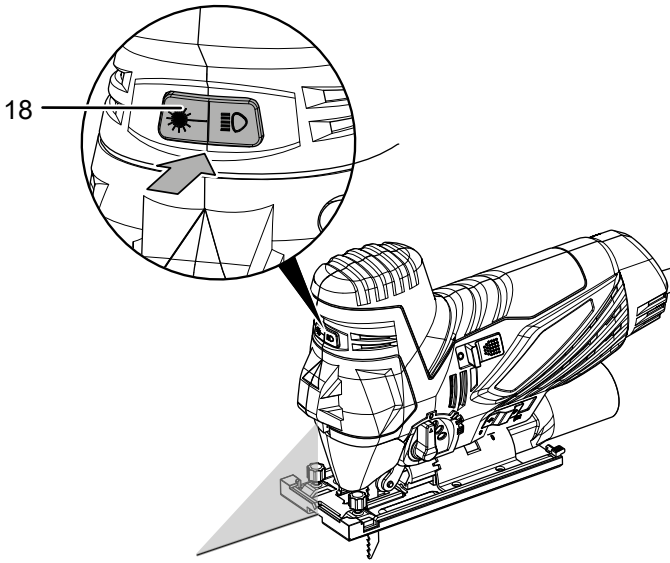


- LED work light and laser off





1. Press the button for laser and LED work light (18) until the desired combination is set.



**Switching the device on and off**

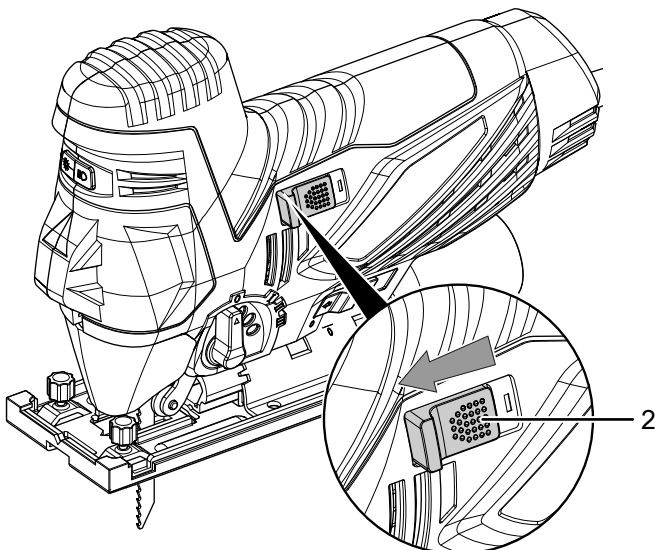


**Info**

The device comes equipped with a restart protection. In the event of a temporary power failure, the on/off switch switches to the 0 position and thus prevents the device from being restarted unintentionally. To restart the device, the on/off switch must be actuated again.

Wear your personal protective equipment when working with the device.

1. Check whether the fixed saw blade, the set stroke rate, the pendulum action and the cutting angle are suitable for the intended application.
2. Check whether the workpiece is secured and the worktop prepared correspondingly.
3. Position the base plate with the sliding block (6) on the workpiece.
4. Slide the on/off switch (2) to 0.

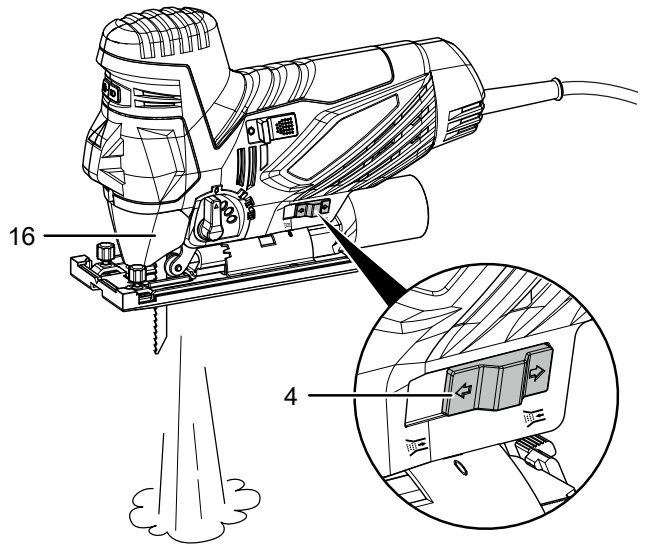


5. Slide the on/off switch (2) to I to switch the device off.

**Setting the splinter blow-off/suction function**

You can choose whether the splinters shall be blown off towards the front or sucked off with an optionally connectable vacuum cleaner.

1. Make sure that the protective cover (16) is mounted.
2. Slide the blow-off/suction function selector switch (4) to the left to suck the splinters in using an external vacuum cleaner, or to the right to blow the splinters away.



**Connecting the dust extraction system**

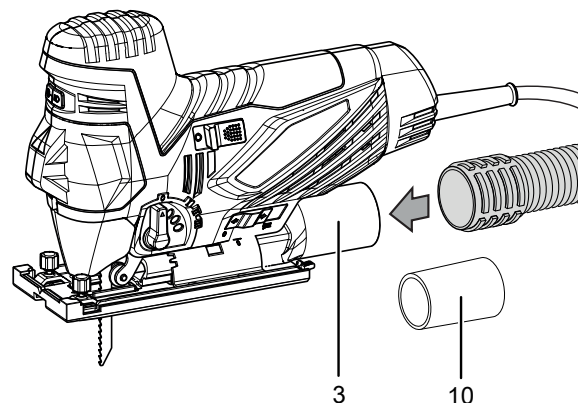
You can connect a vacuum cleaner to the device. The adapter included in the scope of delivery allows to connect smaller pipe diameters.



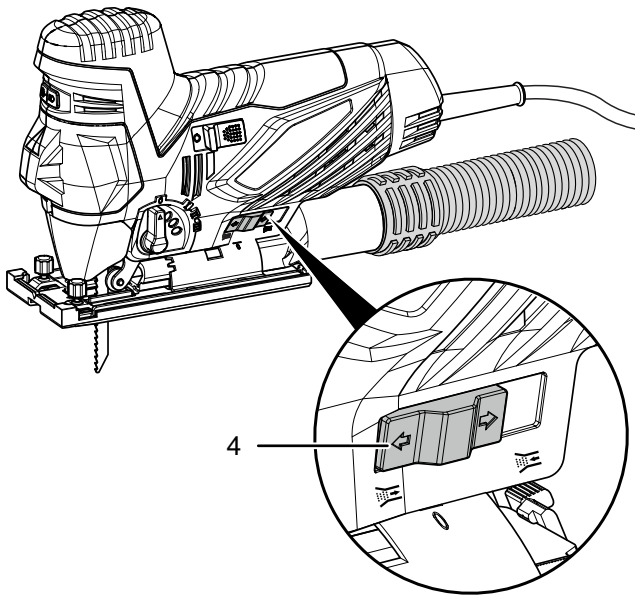
**Caution**

Use a special vacuum cleaner to suck off harmful or toxic materials.

1. If required, attach the adapter (10) to the connection for the dust extraction system (3).
2. For an optimum dust extraction, insert the anti-splinter guard (11) if possible.
3. Connect a suitable vacuum cleaner (e.g. industrial vacuum cleaner) to the dust extraction (3).



4. Slide the splinter blow-off/suction selector switch (4) to the left to the position for dust extraction.



### Available accessories



#### Warning

Only use accessories and additional equipment specified in the instructions. Using insertion tools or accessories other than those specified in the instructions may cause a risk of injury.

| Designation                          | Article number |
|--------------------------------------|----------------|
| Jigsaw blade set for wood, 10-piece  | 6.215.001.101  |
| Jigsaw blade set for metal, 10-piece | 6.215.001.131  |

### Errors and faults

The device has been checked for proper functioning several times during production. If malfunctions occur nonetheless, check the device according to the following list.

Troubleshooting tasks which require the housing to be opened must only be carried out by an authorized specialist electrical company or by Trotec.

#### Light smoke or odour is emitted during the first use:

- This is not a fault. These phenomena disappear after a brief runtime.

#### The device does not start:

- Check the power connection.
- Check the power cable and mains plug for damage. If you notice damages, do not try to take the device back into operation.

If the supply cord is damaged, it must be replaced by the manufacturer, its service agent or similarly qualified persons in order to avoid a hazard.

- Check the on-site fusing.



#### Info

Wait for at least 10 minutes before switching the device back on.

#### The saw blade is loose:

- Make sure that the saw blade is firmly locked in place in the designated recesses of the quick-release chuck.
- Make sure that the quick-release chuck is locked.

#### The saw blade experiences difficulties penetrating the material to be processed or the sawing performance is insufficient:

- Check the set stroke rate; it must be suitable for both the saw blade and the material.
- To select a higher stroke rate, turn up the setting wheel for stroke rate selection.
- Check whether the pendulum action setting is suitable for the material to be processed.
- If the saw blade is worn, replace it with a new one.
- Check whether the chosen saw blade is suitable for the material to be processed.

#### The device becomes hot:

- Make sure not to exert too much pressure on the device during sawing.
- To select a low stroke rate, turn down the setting wheel for stroke rate selection.
- Check whether the chosen saw blade is suitable for the task to be carried out.
- Keep the venting slots clear to prevent the motor from overheating.



#### Info

Wait for at least 10 minutes before switching the device back on.

#### The device still does not operate correctly after these checks:

Please contact the customer service. If necessary, bring the device to an authorised specialist electrical company or to Trotec for repair.

## Maintenance

### Activities required before starting maintenance

**Warning of electrical voltage**

Do not touch the mains plug with wet or damp hands.

- Switch off the device.
- Hold onto the mains plug while pulling the power cable out of the mains socket.
- Allow the device to cool down completely.

**Warning of electrical voltage**

**Maintenance tasks which require the housing to be opened must only be carried out by authorised specialist companies or by Trotec.**

### Notes on maintenance

Inside the device, there are no parts that need to be maintained or lubricated by the user.

### Cleaning

The device should be cleaned before and after each use.

**Note**

The device does not have to be lubricated after cleaning.

**Warning of electrical voltage**

There is a risk of a short-circuit due to liquids penetrating the housing!

Do not immerse the device and the accessories in water. Make sure that no water or other liquids can enter the housing.

- Clean the device with a soft, damp and lint-free cloth. Make sure that no moisture enters the housing. Protect electrical components from moisture. Do not use any aggressive cleaning agents such as cleaning sprays, solvents, alcohol-based or abrasive cleaners to dampen the cloth.
- Dry the device with a soft, lint-free cloth.
- Dry the saw blades with a soft, lint-free cloth.
- Remove any dust deposits and, if applicable, wood chips or material residues from the quick-release chuck.
- Keep the ventilation openings free from dust deposits to prevent overheating of the motor.
- Remove dust and chips from the chip ejector. If the chip ejector is blocked, clean it with suitable means (e.g. compressed air).

## Disposal



The icon with the crossed-out waste bin on waste electrical or electronic equipment stipulates that this equipment must not be disposed of with the household waste at the end of its life. You will find collection points for free return of waste electrical and electronic equipment in your vicinity. The addresses can be obtained from your municipality or local administration. You can also find out about other return options that apply for many EU countries on the website <https://hub.trotec.com/?id=45090>. Otherwise, please contact an official recycling centre for electronic and electrical equipment authorised for your country.

The separate collection of waste electrical and electronic equipment aims to enable the re-use, recycling and other forms of recovery of waste equipment as well as to prevent negative effects for the environment and human health caused by the disposal of hazardous substances potentially contained in the equipment.

## Declaration of conformity

Declaration of conformity in accordance with the EC Machinery Directive 2006/42/EC, Annex II, Part 1, Section A

We – Trotec GmbH – declare in sole responsibility that the product designated below was developed, constructed and produced in compliance with the requirements of the EC Machinery Directive in the version 2006/42/EC.

**Product model / Product:** PJSS 13-230V

**Product type:** 850W pendulum action jigsaw

**Year of manufacture as of:** 2021

### Relevant EU directives:

- 2011/65/EU: 01/07/ 2011
- 2012/19/EU: 24/07/2012
- 2014/30/EU: 29/03/2014

### Applied harmonised standards:

- EN 55014-1:2017/A11:2020
- EN 61000-3-2:2014
- EN 61000-3-3:2013
- EN 62841-1:2015
- EN 62841-2-11:2016+A1:2020

### Applied national standards and technical specifications:

- EN 55014-2:2015
- EN 61000-3-3:2013/A1:2019
- EN IEC 61000-3-2:2019

### Manufacturer and name of the authorised representative of the technical documentation:

Trotec GmbH

Grebener Straße 7, D-52525 Heinsberg

Phone: +49 2452 962-400

E-mail: info@trotec.de

Place and date of issue:

Heinsberg, 08.04.2021



Detlef von der Lieck, Managing Director

Trotec GmbH

Grebener Str. 7  
D-52525 Heinsberg

☎ +49 2452 962-400

☎ +49 2452 962-200

✉ [info@trotec.com](mailto:info@trotec.com)

[www.trotec.com](http://www.trotec.com)